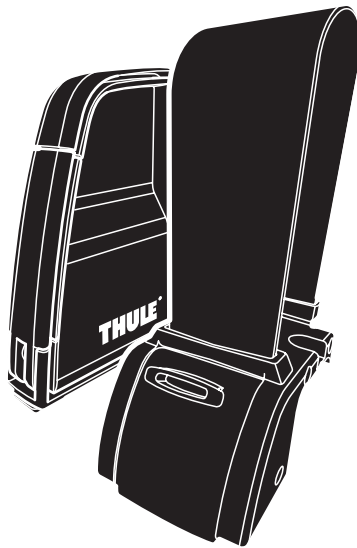


**THULE**<sup>®</sup>  
SWEDEN

## Thule Ladder Holder 330

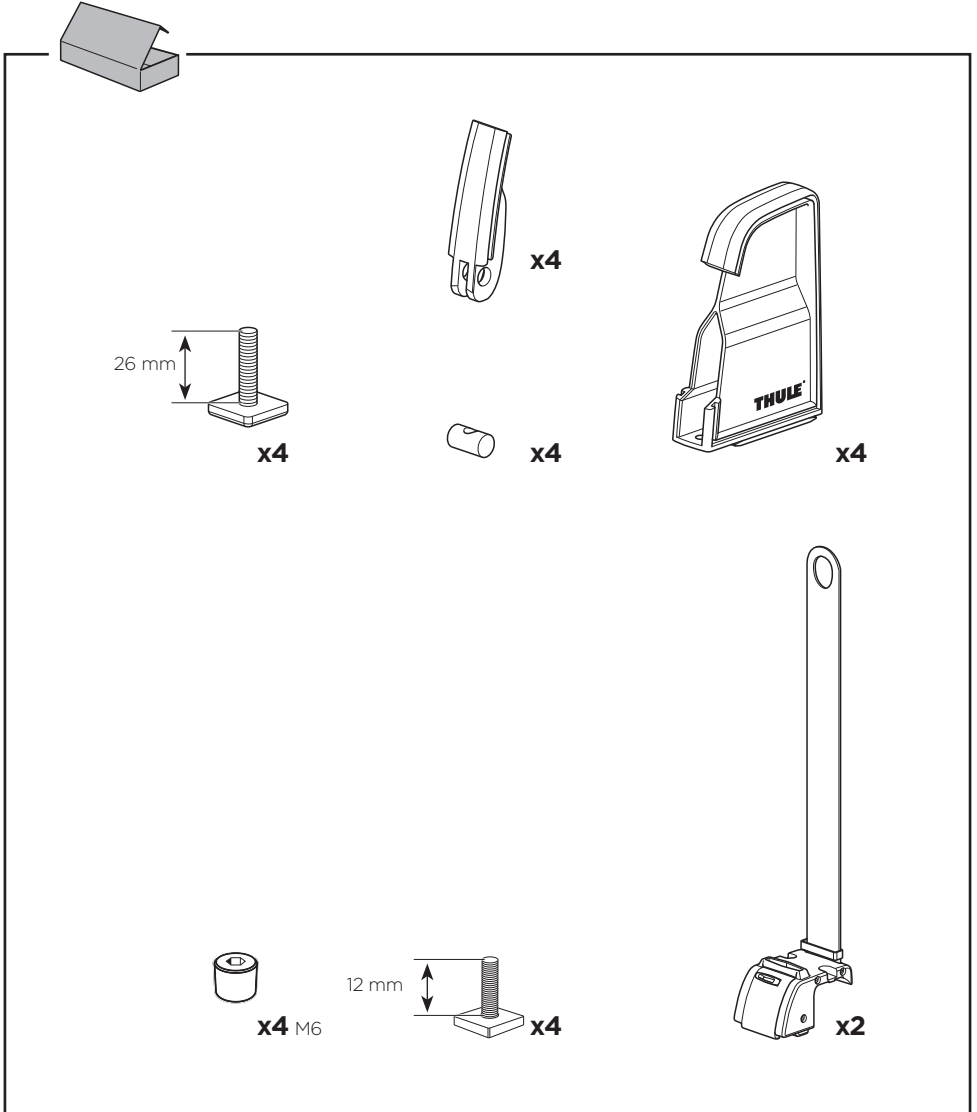
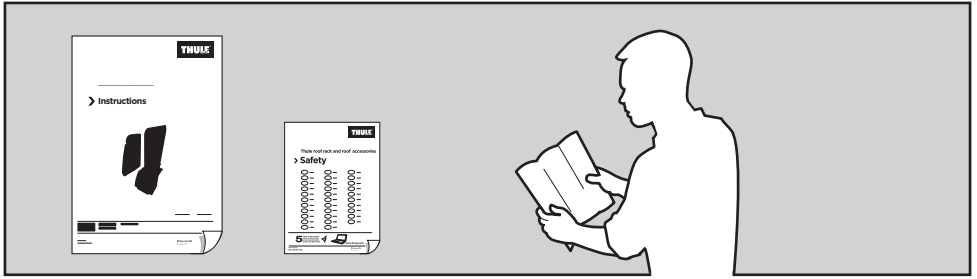
# > Instructions



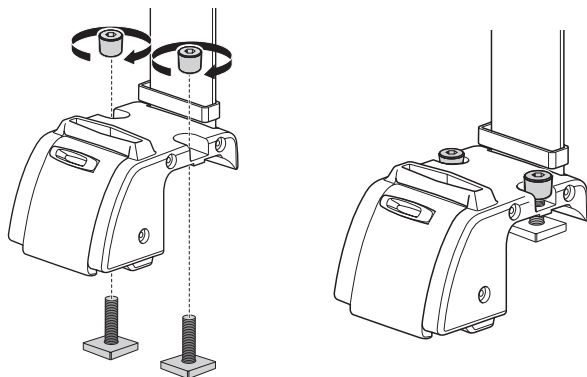
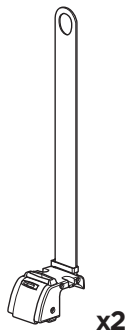
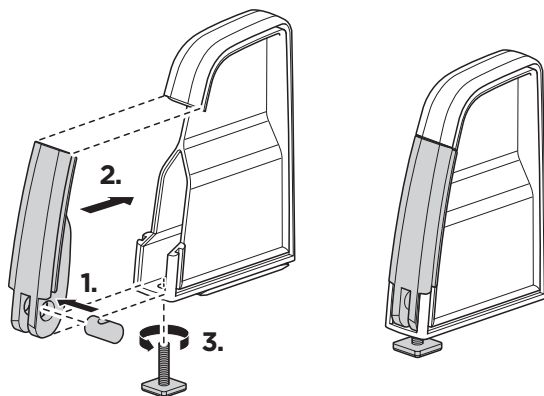
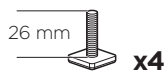
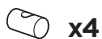
**330000**

AS/8.20160531  
501-7177-05

Bring your life  
thule.com



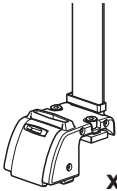
**1**



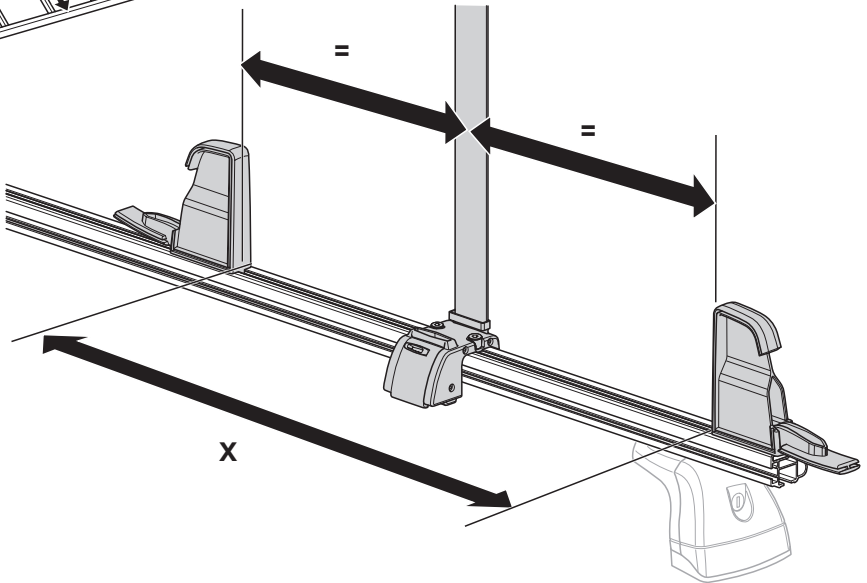
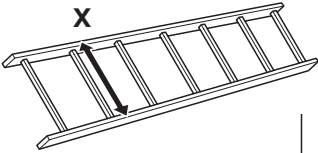
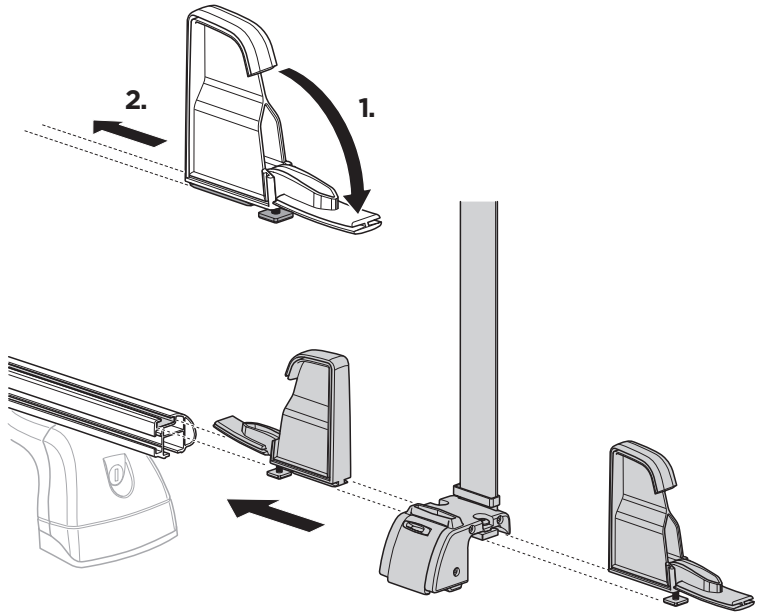
**2**



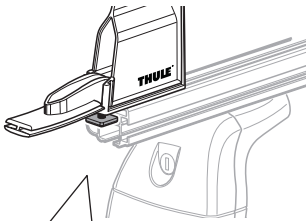
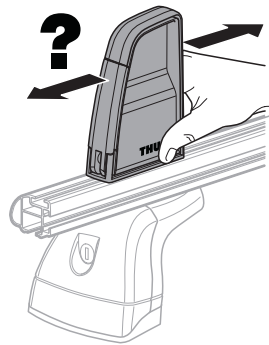
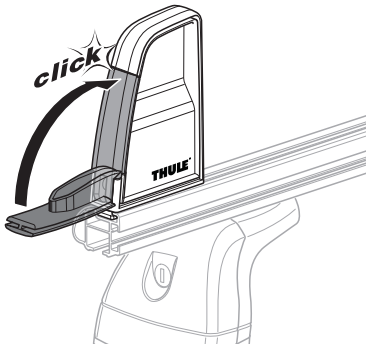
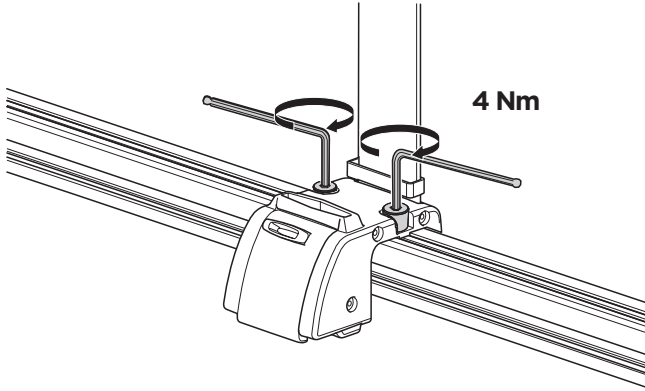
x4



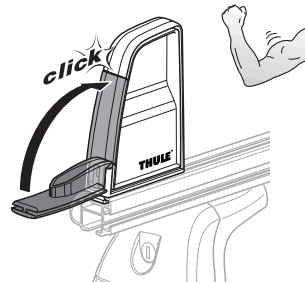
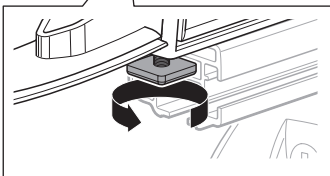
x2



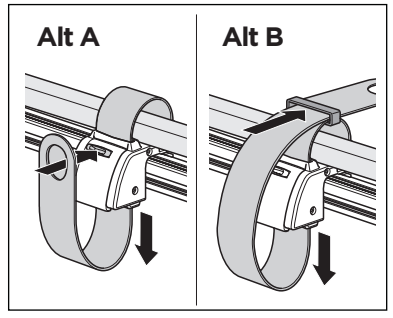
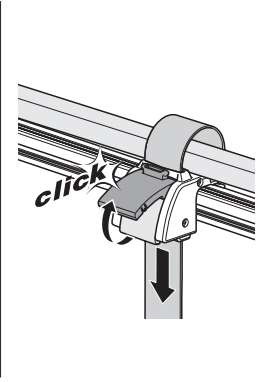
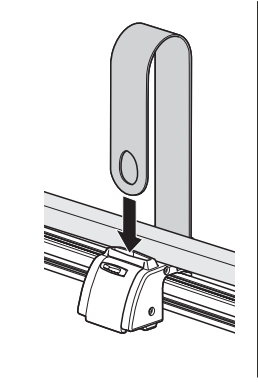
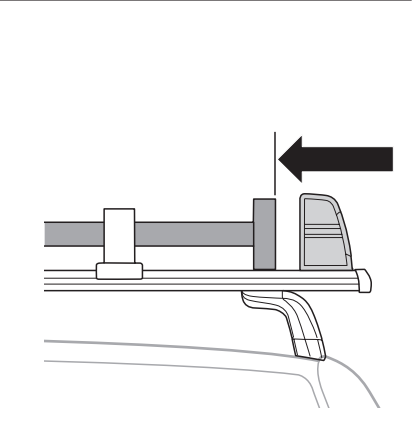
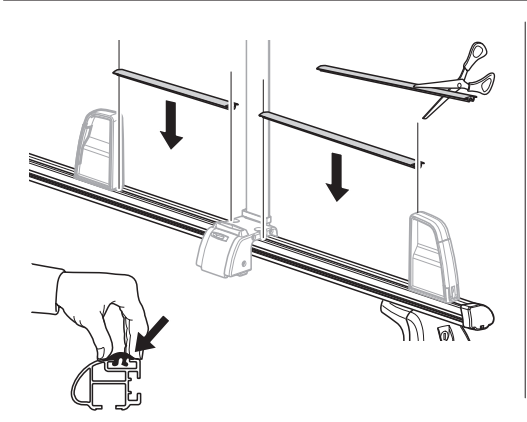
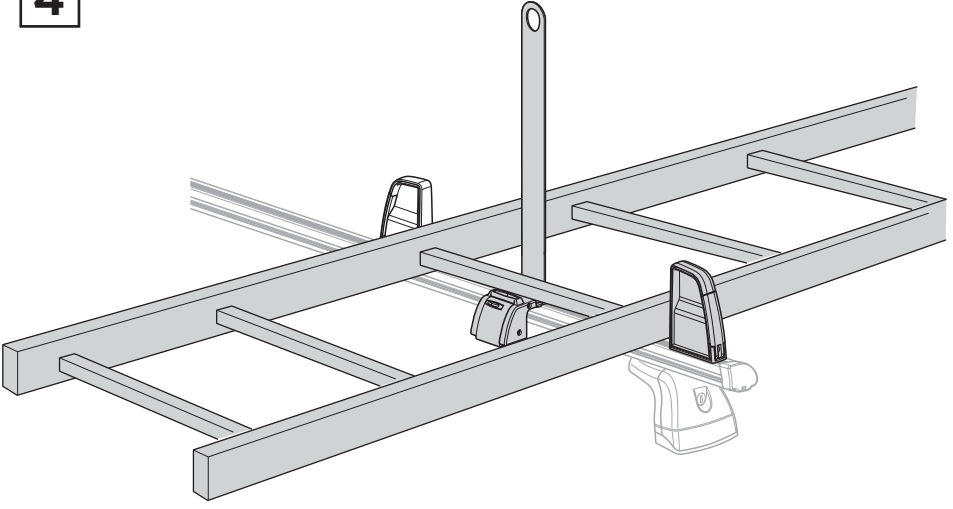
**3**



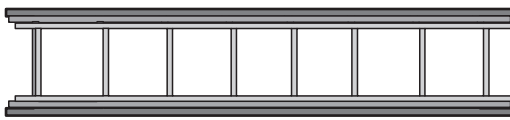
**10-15 kg**



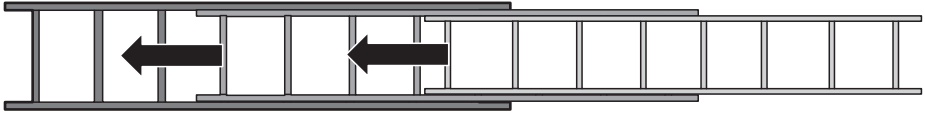
4



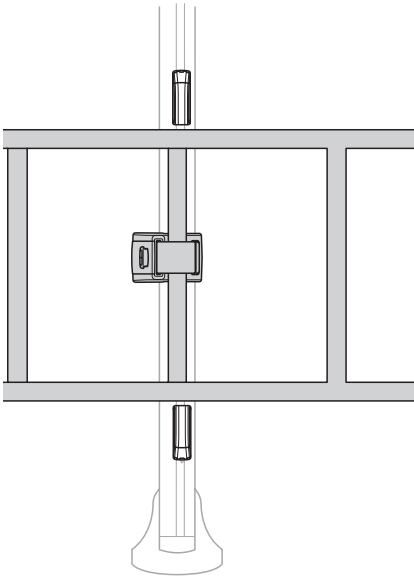
**i**



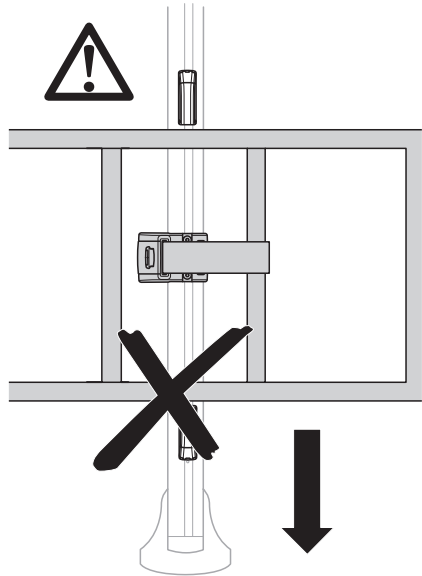
**Max 3**



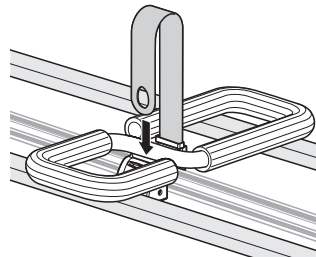
**ok**  
✓

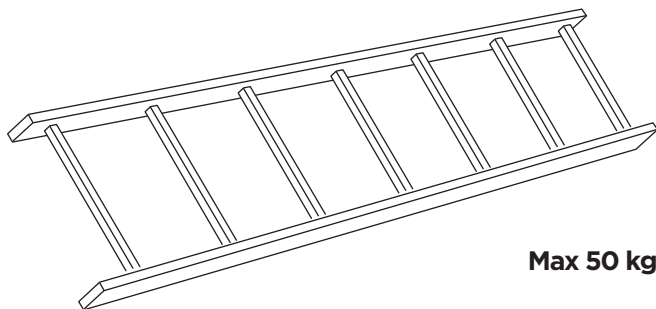


**Not ok**  
✗



**310**





**Max 50 kg**



**310**

